

Bulletin No. 211

New Spiral Stirrer

Alternate stirrer package for viscous material stirring

Parr Instrument Company is pleased to announce the addition of a series of non-welded 1 & 2 Liter spiral stirrer packages designed to efficiently stir viscous polymers or other high viscosity mixtures in our Pressure Reaction Vessels.

The 1 Liter spiral stirrer packages can be arranged in 2 or 4 blade arrangements.

The 2 Liter spiral stirrer packages can be arranged in 2, 4, 6 or 8 blade arrangements.

Customers will have more options because the blades are interchangeable and stackable. Stirrer packages will contain adequate amounts of blades and fasteners to accommodate the maximum blade capacity.



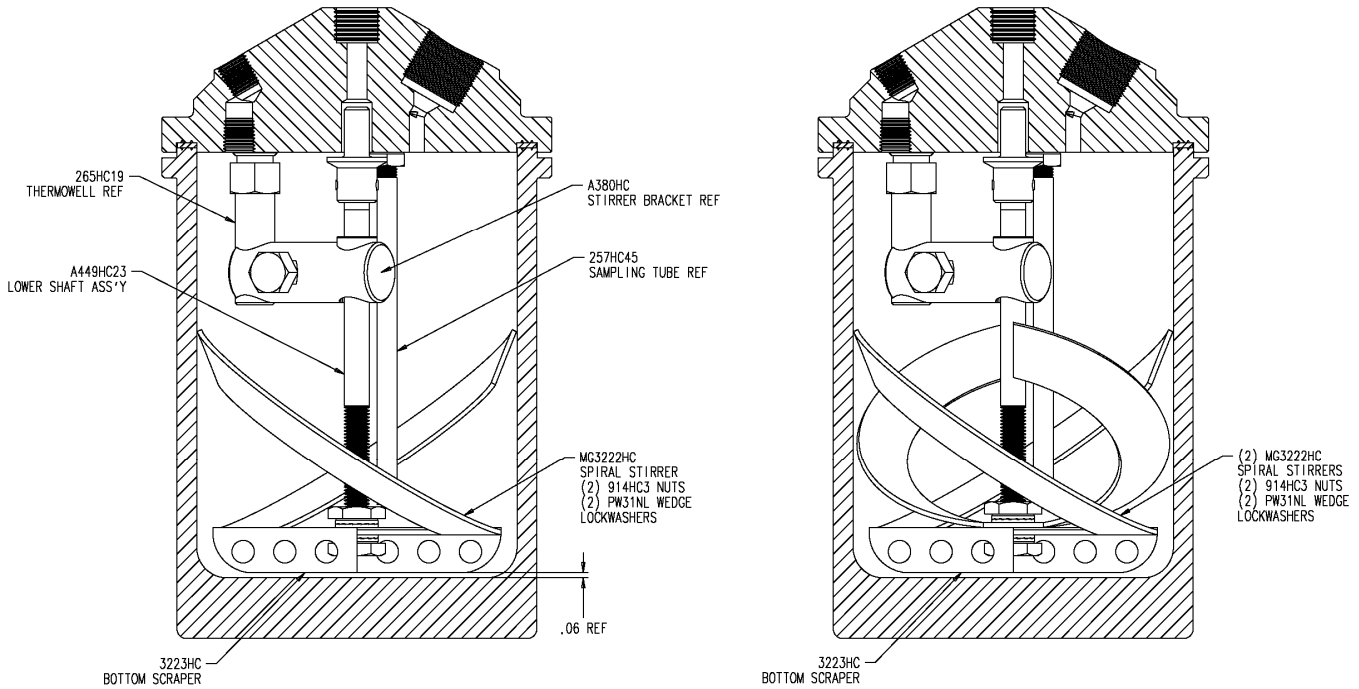
**4 – Bladed Stirrer
For
2 Liter Vessel**



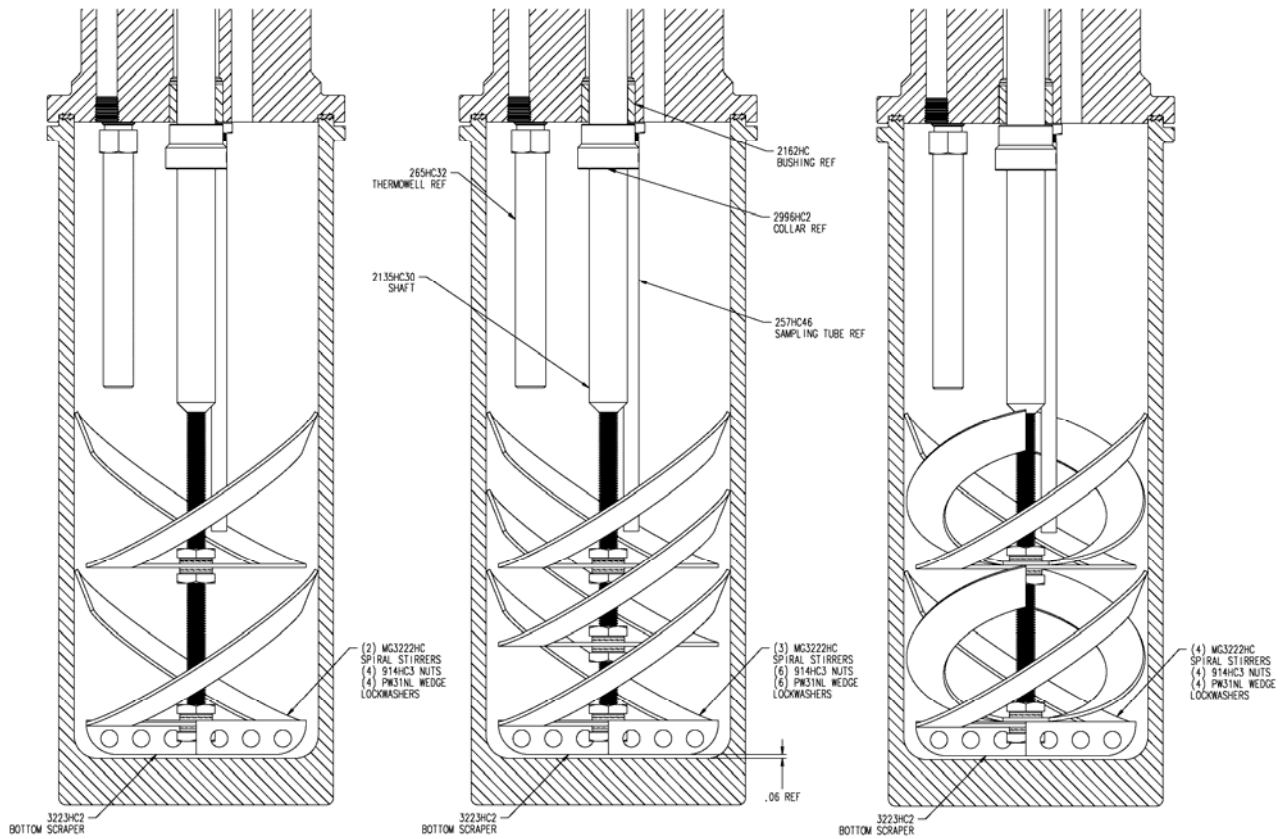
**6 – Bladed Stirrer
For
2 Liter Vessel**



**8 – Bladed Stirrer
For
2 Liter Vessel**



1 Liter Vessel with 2 and 4 Bladed Configurations



2 Liter Vessel with 4, 6 and 8 Bladed Configurations

Please notice on the illustrations that the thermowell and dip tube are shorter than the standard length because of the configuration of the stirrer blades.

The shorter thermowell and dip tube are not included in the spiral stirrer package. Need to order shorter length thermowell and dip tube separately.

Care will need to be taken with the volume of material in the vessel so that the thermowell works appropriately.

The design accommodates all 1 & 2 liter scenarios and available soon 1 and 2 gallon scenarios (upward thrust, downward thrust, fixed head, removable head, heavy duty drive, and general purpose drive, heavy duty footless and general purpose footless). See chart below.

Spiral Stirrer Part Number	Volume	Stirrer Drive	Vessel Style	Thrust Direction
A3225HC	1 L	Gen. Purpose	RH/FH	Downward
A3225HC2	1 L	Gen. Purpose	RH/FH	Upward
A3225HC3	2 L	Gen. Purpose	RH/FH	Downward
A3225HC4	2 L	Gen. Purpose	RH/FH	Upward
A3226HC	1 L	Heavy Duty	RH/FH	Downward
A3226HC2	1 L	Heavy Duty	RH/FH	Upward
A3226HC3	2 L	Heavy Duty	RH/FH	Downward
A3226HC4	2 L	Heavy Duty	RH/FH	Upward
A3265HC	1 L	Gen. Purpose Footless	Removable Head	Downward
A3265HC2	1 L	Gen. Purpose Footless	Removable Head	Upward
A3265HC3	2 L	Gen. Purpose Footless	Removable Head	Downward
A3265HC4	2 L	Gen. Purpose Footless	Removable Head	Upward
A3265HC5	1 L	Gen. Purpose Footless	Fixed Head	Downward
A3265HC6	1 L	Gen. Purpose Footless	Fixed Head	Upward
A3265HC7	2 L	Gen. Purpose Footless	Fixed Head	Downward
A3265HC8	2 L	Gen. Purpose Footless	Fixed Head	Upward
A3266HC	1 L	Heavy Duty Footless	Removable Head	Downward
A3266HC2	1 L	Heavy Duty Footless	Removable Head	Upward
A3266HC3	2 L	Heavy Duty Footless	Removable Head	Downward



Spiral Stirrer Part Number	Volume	Stirrer Drive	Vessel Style	Thrust Direction
A3266HC4	2 L	Heavy Duty Footless	Removable Head	Upward
A3266HC5	1 L	Heavy Duty Footless	Fixed Head	Downward
A3266HC6	1 L	Heavy Duty Footless	Fixed Head	Upward
A3266HC7	2 L	Heavy Duty Footless	Fixed Head	Downward
A3266HC8	2 L	Heavy Duty Footless	Fixed Head	Upward

The shorter length thermowell to order for a 1 Liter Vessel is 265HC19 and the shorter length thermowell for a 2 Liter Vessel is 265HC32.

The shorter length dip tube to order for a 1 Liter Vessel is 257HC45 and the shorter length dip tube for a 2 Liter Vessel is 257HC46.

PARR INSTRUMENT COMPANY

211 Fifty-Third Street

Moline, Illinois 61265 USA Phone 309/762-7716 Fax 309/762-9453

<http://www.parrinst.com> E-Mail: parr@parrinst.com